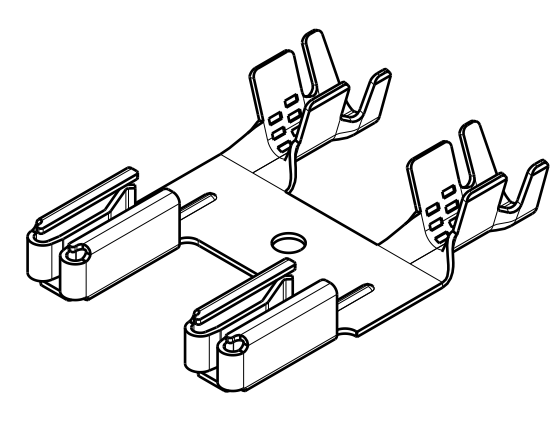
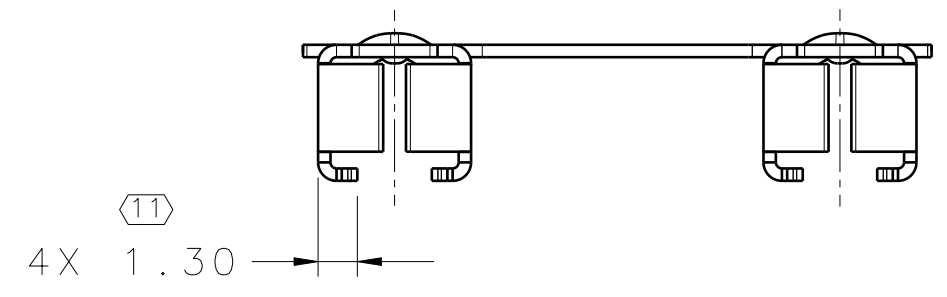


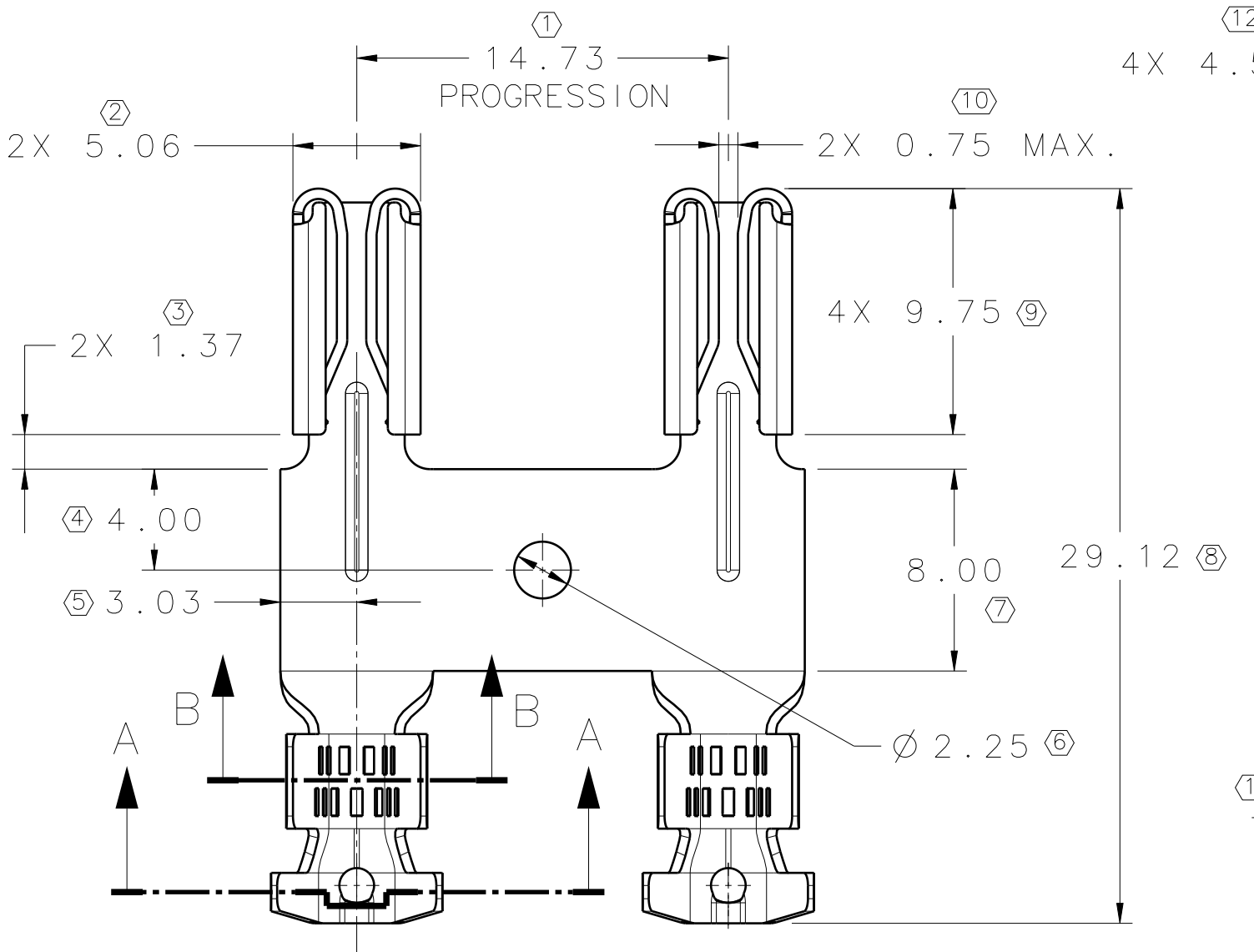
LEAR/SEM P/N	T&C P/N	NO. OF RECEPTACLE	GRIP TYPE	GRIP CODE	NO. OF SERRATIONS	WIRE RANGE		A	B	ØC	ØD	MATERIAL	PLATING									
						mm ²	AWG															
E13671400	781201-FJ200	1	1	12	13	3.0 - 5.0	10-12	5.6	6.8	2.30	3.20	Cu	Pre-Sn									
320100126	781202-FJ200	2										Cu	Pre-Sn									
E13671500	781203-FJ200	3										Cu	Pre-Sn									
E13671600	781204-FJ200	4										Cu	Pre-Sn									
E13671700	781205-FJ200	5										Cu	Pre-Sn									
E13671800	781206-FJ200	6										Cu	Pre-Sn									
E13671900	781207-FJ200	7										Cu	Pre-Sn									
E13672000	781302-FJ200	2	2	13	9	0.5+0.5, 0.5+0.75, 0.75+0.75	18+18, 18+20, 20+20	4.4	6.3	1.00	1.75	Cu	Pre-Sn									
3202656W3	781402-FJ200	2										Cu	Pre-Sn									
E00003207	781403-FJ200	3										1	14	7	1.0 - 2.0	14-16	4.3	5.1	1.45	2.25	Cu	Pre-Sn
E00026779	781802-FJ200	2																			18	7



781201-FJ200
OTHERWISE SAME AS
781202-FJ200



781203-FJ200 / 781403-FJ200
OTHERWISE SAME AS
781202-FJ200 / 781402-FJ200



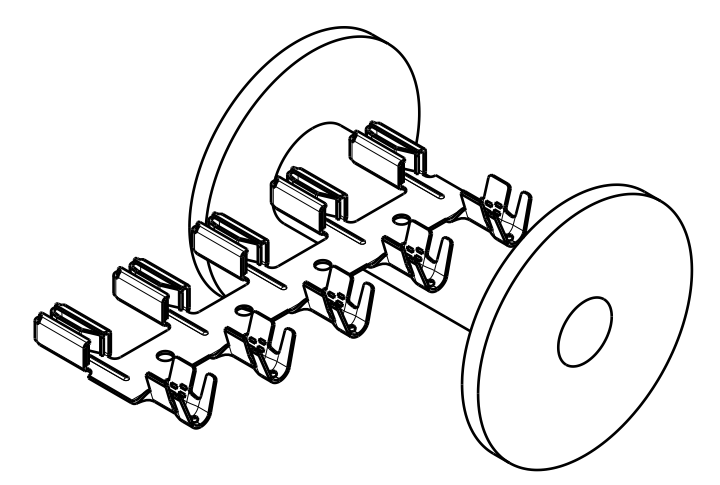
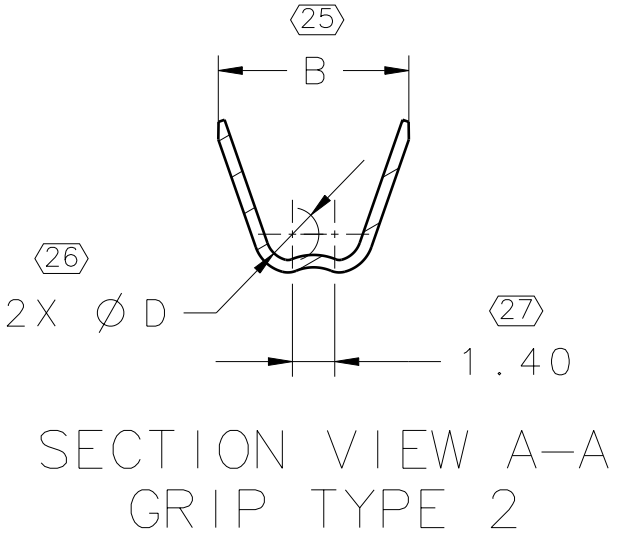
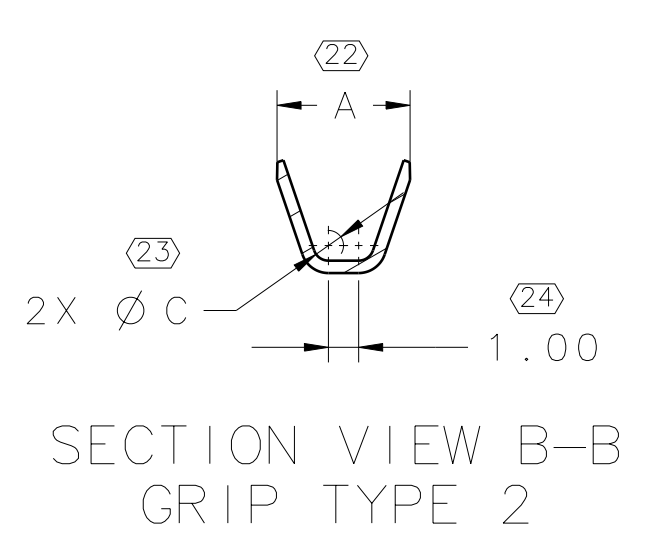
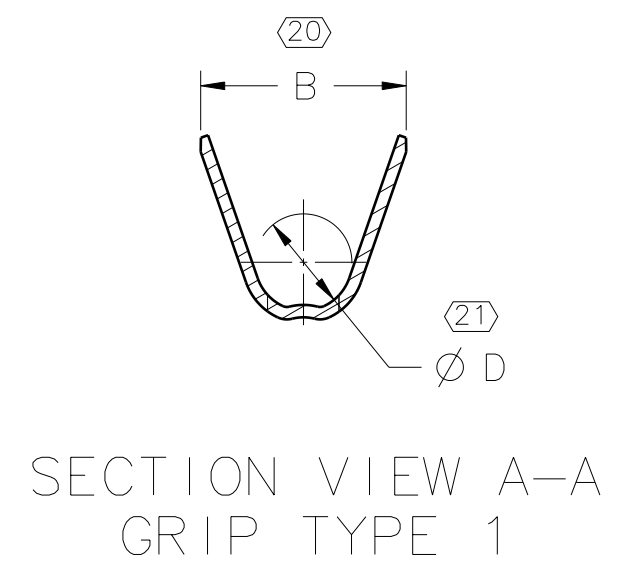
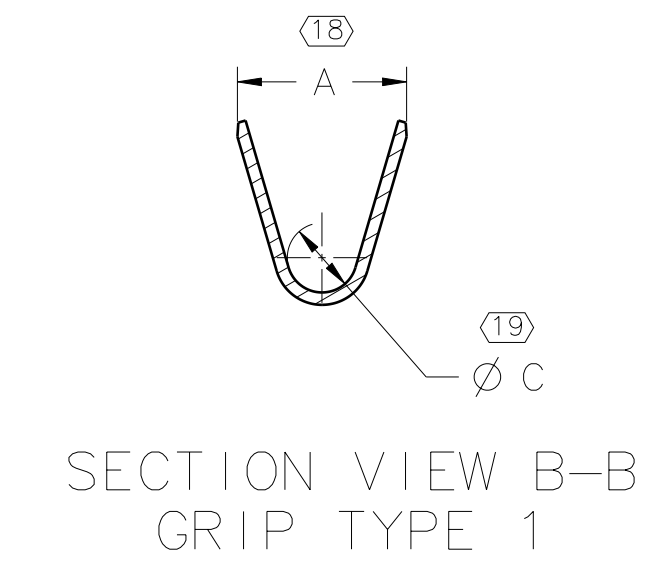
781202-FJ200 / 781302-FJ200
781402-FJ200 / 781802-FJ200

781204-FJ200
OTHERWISE SAME AS
781202-FJ200

781205-FJ200
OTHERWISE SAME AS
781202-FJ200

781206-FJ200
OTHERWISE SAME AS
781202-FJ200

781207-FJ200
OTHERWISE SAME AS
781202-FJ200
SCALE 2:1



UNWIND DIRECTION

- NOTES:
- GENERAL TOLERANCE
 - 1.1 ONE PLACE : ± 0.3
 - 1.2 TWO PLACE : ± 0.25
 - 1.3 ANGULAR PLACE : ± 3°
 - 0.50 MAX. CUT OFF
 - MATERIAL THICKNESS: 0.404 ± 0.013

REV.	ZONE	DESCRIPTION	CS/REL. NO.	DATE	DESIGNER	CHECKER
AA	--	INITIAL RELEASE	XX.XXX	2018/07/13	N.PEREZ	T.RAVINDRA

ANGLE PROJECTION	MATERIAL: SEE TABLE	WEIGHT CAD:	VOLUME CAD:
NA	FINISH / SURFACE: SEE TABLE	N/A	N/A
	COLOR: N/A		
NOT USED	SCALE: 4:1		
	START DATE: 2017/10/24		
	DRAWN: N.PEREZ	TITLE: MISC / CROSS CARLINE	
	APPROVERS: ENGR. F.ABDISHI, CHECKER: T.S.RAVINDRA, APPROVER: A.BUTCHER	BUS RECEPTACLE	
	CAD DIRECTORY / LOCATION: SEM	2.8mm	
	LAST UPDATE: 2018/07/13	SEM DOCUMENT ID / DRAWING NUMBER: D00442370 / 781202-FJ200	REV: AA
		SHEET: 1	OF: 1
		TYPE: CG	

LAST USED: 27
CONFIDENTIAL - THIS DRAWING AND ALL INFORMATION DISCLOSED HEREIN ARE OWNED BY LEAR CORPORATION AND ARE NOT TO BE DISTRIBUTED OR DISSEMINATED IN ANY MANNER UNLESS EXPRESSLY AUTHORIZED IN WRITING BY LEAR CORPORATION