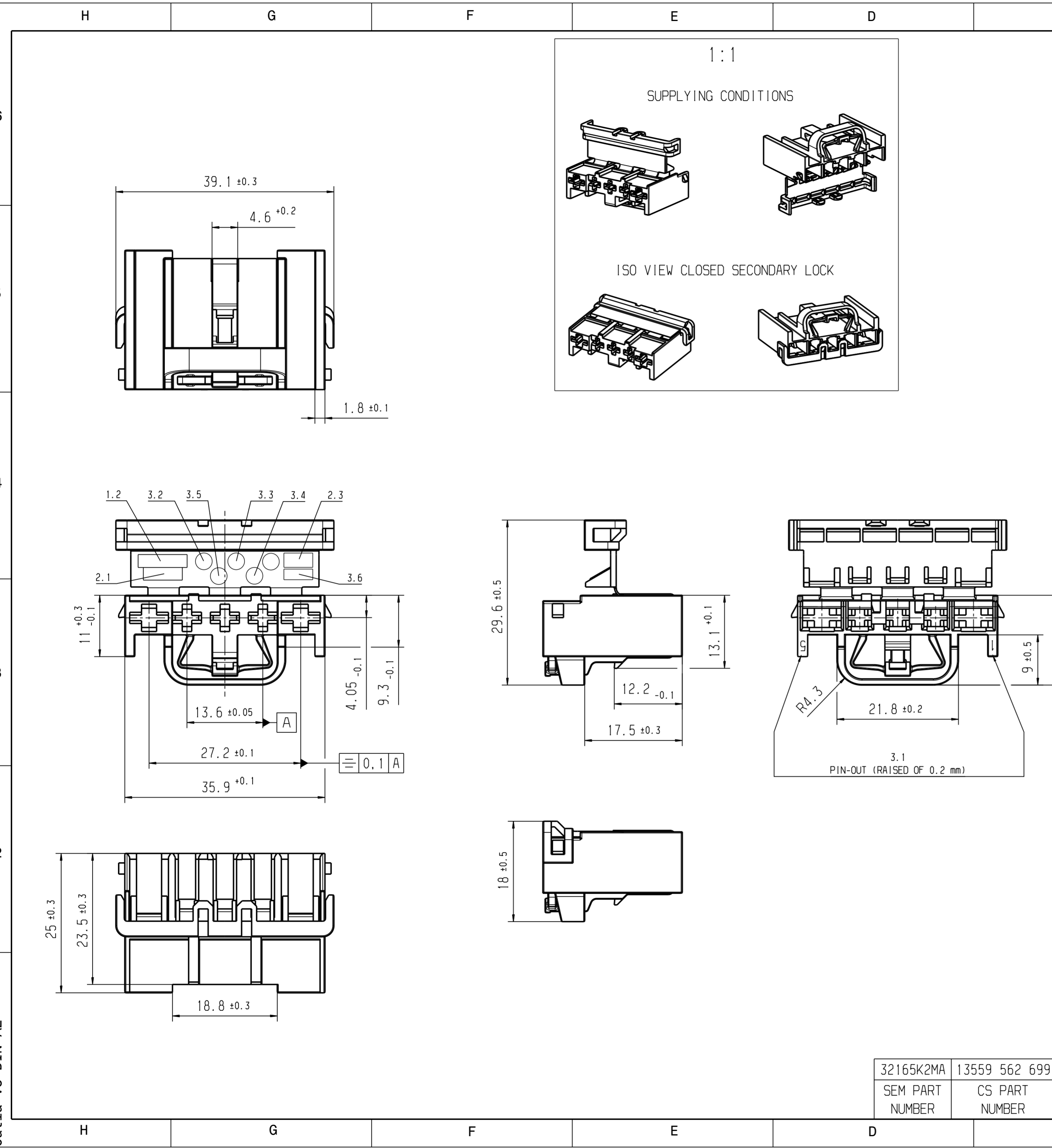


Offizielle aktuelle Ausgabe nur in LEAR CS DB.  
 In gedruckter Form kein Änderungsdienst.  
 Catia V5 DIN A2

Official current version only in LEAR CS DB.  
 In printed form no update information service.



REV.	ZONE	DESCRIPTION	CS/REL NO.	DATE	DESIGNED	CHECKED
2		SEE CHANGE REPORT NO. 22714		2006/02/06	BRG	POHL
3		SEE CHANGE REPORT NO. 23293		2007/02/16	CE	KL
4		SEE CHANGE REPORT NO. 23699		2008/07/01	RZY	KL
5		SEE CHANGE REPORT NO. 24719		2009/04/15	BAL	KL
6		DRAWING UPDATED WITH NEW LAYOUT / SEM PN ADDED / CS PART NUMBER CORRECTED		2024/07/11	KARADUMAN	

3.6	MATERIAL CODE T&C-WN 98011 215 302	>PA66<
3.5	TOOL REV. NUMBER	NUMBER 50, 51, ...
3.4	MOLD CAVITY IDENT NO.	Number 1, 2, ...
3.3	COUNTRY OF MANUFACTURE	SEE T&C-WN 98011 010 001
3.2	DATE CLOCK	SEE T&C-WN 98011 215 301-A
3.1	CAVITY NUMBER	NUMBER 1, 2, ...
2.3	LEAR TRADEMARK	LEAR ("GHW" ALLOWED)
2.1	PART NUMBER	13559
1.2	CUSTOMER TRADEMARK	SEE DRAWING
NO.	DESCRIPTION	MARKING

ZULAESSIGE LAGERBEDINGUNGEN FUER LEAR CS-PRODUKTE GEMAESS V/8023/06/R  
 PERMISSIBLE STORAGE CONDITIONS FOR LEAR CS-PRODUCTS IN ACCORDANCE TO...

GENERAL TOLERANCES DIN 16901 - 130 ISO 2768 - m K	<del>THE ENGLISH TRANSLATION IS BELIEVED TO BE ACCURATE. IN CASE OF DISCREPANCIES THE GERMAN VERSION SHALL GOVERN.</del>	CS Drawing Number <b>13559</b>	
ANGLE PROJECTION EU	MATERIAL: PA66 FINISH / SURFACE: --- COLOR: JET BLACK SIMILIAR RAL 9005	WEIGHT CAD: 4.7 [g]	VOLUME CAD: 4254 [mm³]
SCALE: <b>2:1</b>	Lear Corporation GmbH Schlosserstraße 4 42899 Remscheid Germany		
START DATE: 2024/07/11	TITLE <b>MISCELLANEOUS / CROSS CARLINE AFK 2,8/4,8 x 0,8 HOSUING, 5-WAY</b>		
DRAWN: KARADUMAN	CAD DIRECTORY / CAD LOCATION: SEM MODEL FILE NAME: 32165K2MA		
APPROVERS:			
DRW FILE NAME: 32165K2MA-AA-DR00			
LAST UPDATE: 2024/07/11	SEM DOCUMENT ID / DRAWING NUMBER: <b>D00504584 - 6</b>	REV. SHEET OF TYPE: <b>1 2 CG</b>	

32165K2MA	13559 562 699
SEM PART NUMBER	CS PART NUMBER

CONFIDENTIAL - THIS DRAWING AND ALL INFORMATION DISCLOSED HEREIN ARE OWNED BY LEAR CORPORATION AND ARE NOT TO BE DISTRIBUTED OR DISSEMINATED IN ANY MANNER UNLESS EXPRESSLY AUTHORIZED IN WRITING BY LEAR CORPORATION.

Official current version only in LEAR CS DB.  
In printed form no update information service.

Catia V5 DIN A3

4

3

2

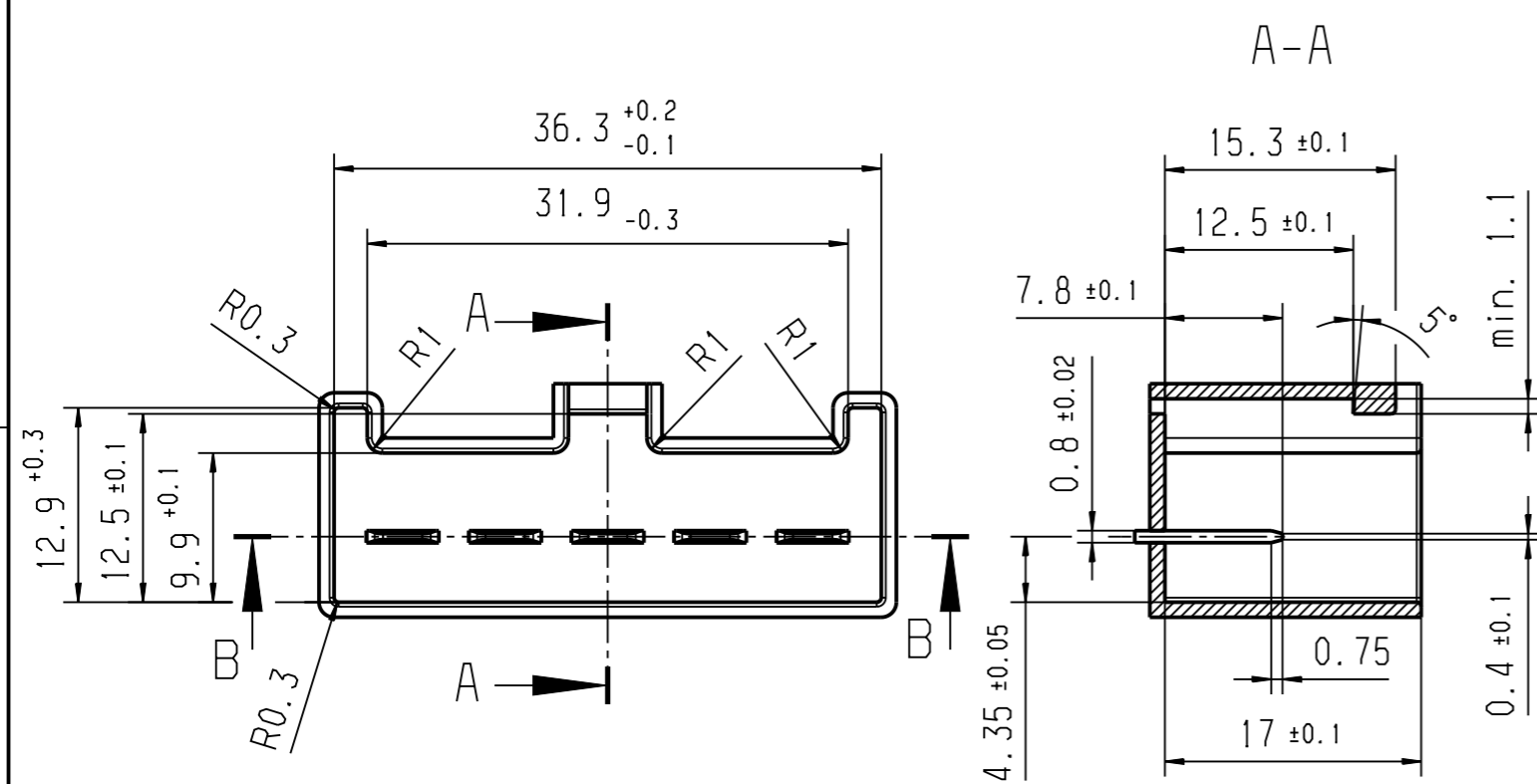
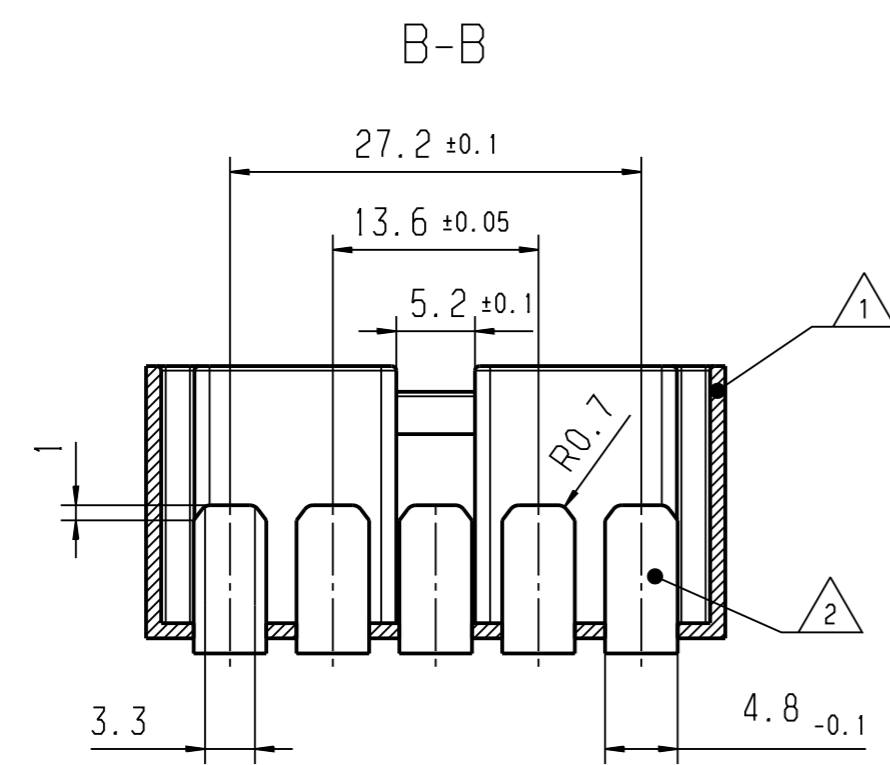
1

4

3

2

1



REV.	ZONE	DESCRIPTION	CS/REL NO.	DATE	DESIGNED	CHECKED
2		SEE CHANGE REPORT 21114		2004/01/15	BRG	POHL
3		DRAWING UPDATED		2024/07/11	KARADUMAN	

COMMENTS	
1	PBT, PA OR PA-GF POSSIBLE OTHER MATERIALS AFTER CUSTOMER RELEASE POSSIBLE
2	MATERIAL: CuZn - DIN 17670-CuZn28/CuZn30 FINISH: MIN. 0.1µm Sn NECESSARY! OTHER MATERIALS AFTER CUSTOMER-RELEASE POSSIBLE

ZULAESSIGE LAGERBEDINGUNGEN FUER LEAR CS-PRODUKTE GEMAESS V/8023/06/R PERMISSIBLE STORAGE CONDITIONS FOR LEAR CS-PRODUCTS IN ACCORDANCE TO...		CS Drawing Number <b>13559</b>	
GENERAL TOLERANCES DIN 16901 - 130 ISO 2768 - m K	<del>THE ENGLISH TRANSLATION IS BELIEVED TO BE ACCURATE. IN CASE OF DISCREPANCIES THE GERMAN VERSION SHALL GOVERN.</del>	MATERIAL: SEE COMMENTS FINISH / SURFACE: --- COLOR: SEE COMMENTS	WEIGHT CAD: --- [g] VOLUME CAD: --- [mm³]
ANGLE PROJECTION EU		SCALE: <b>2:1</b>	 Lear Corporation GmbH Schlosserstraße 4 42899 Remscheid Germany
START DATE:	2024/07/12	TITLE <b>MISCELLANEOUS / CROSS CARLINE INTERFACE AFK 2,8/4,8 x 0,8 HOSUING, 5-WAY</b>	
DRAWN:	KARADUMAN	DRW FILE NAME: 32165K2MA-AA-DR00	CAD DIRECTORY / CAD LOCATION: K-AUTOMOT / LAGER-13 MODEL FILE NAME: 13559-_____-____03-INTERFACE-5-WAY
APPROVERS:		LAST UPDATE 2024/07/12	SEM DOCUMENT ID / DRAWING NUMBER <b>D00504584 - 3</b>
			SHEET OF <b>2 2</b> TYPE <b>CG</b>

CONFIDENTIAL - THIS DRAWING AND ALL INFORMATION DISCLOSED HEREIN ARE OWNED BY LEAR CORPORATION AND ARE NOT TO BE DISTRIBUTED OR DISSEMINATED IN ANY MANNER UNLESS EXPRESSLY AUTHORIZED IN WRITING BY LEAR CORPORATION.