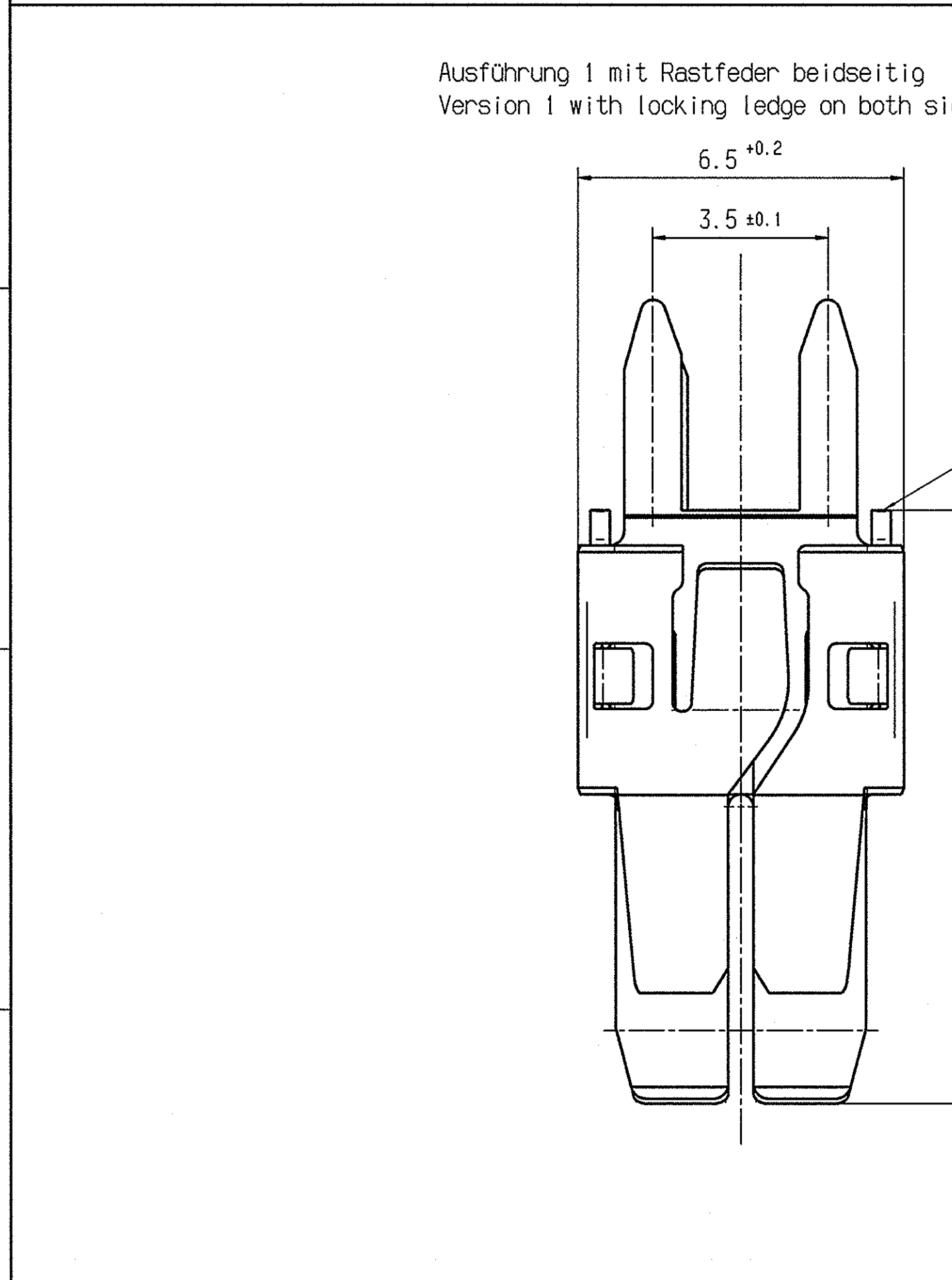
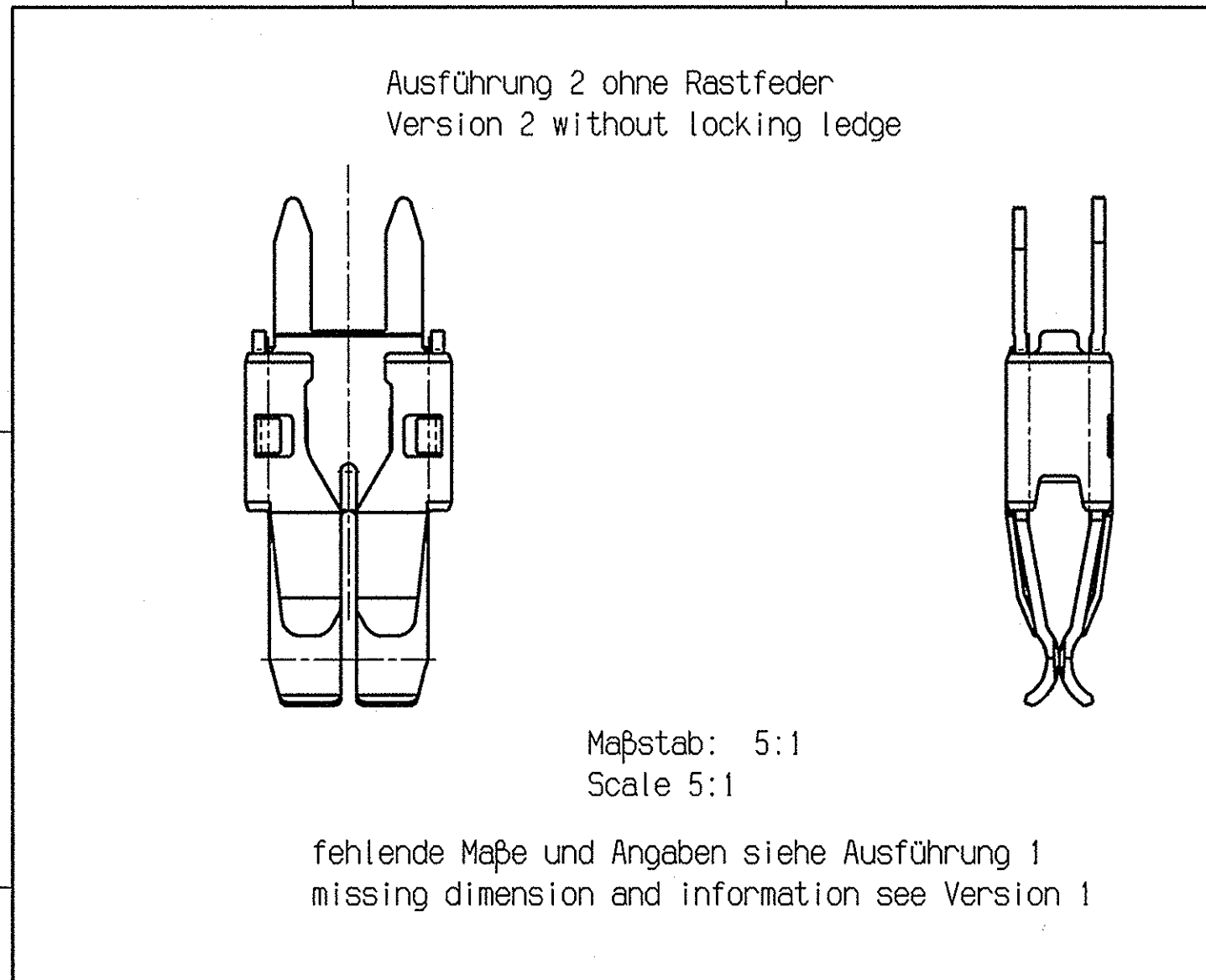
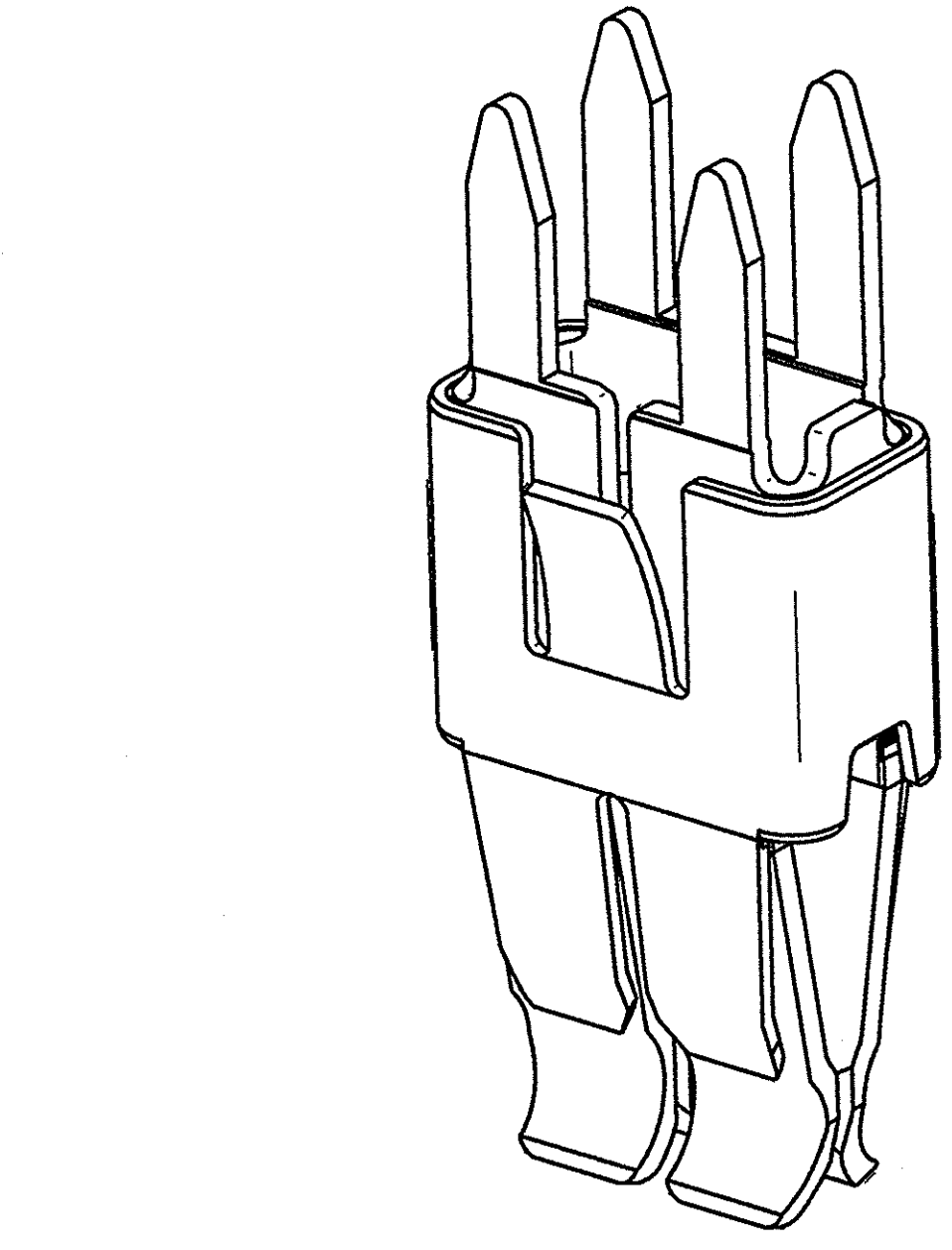
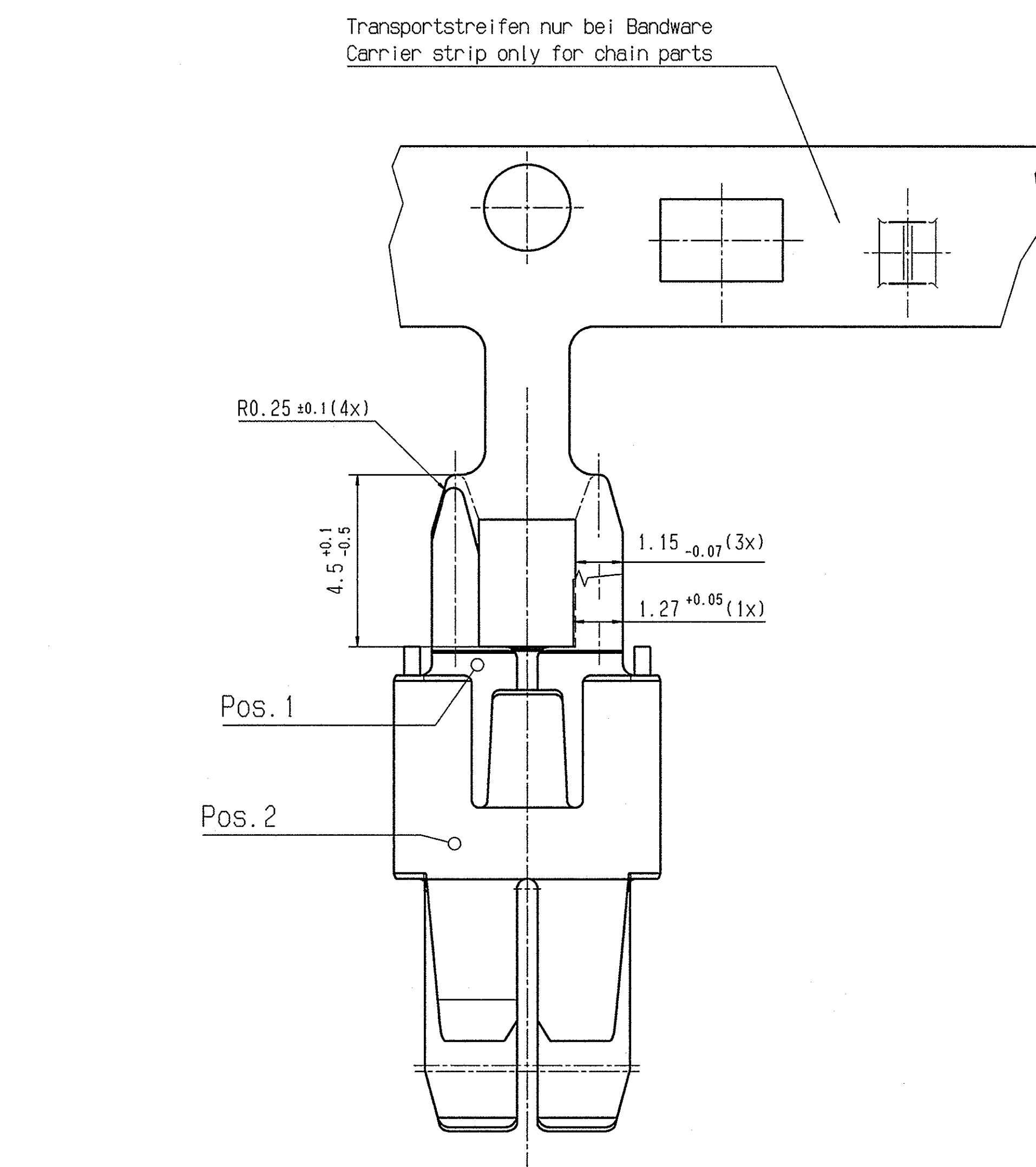
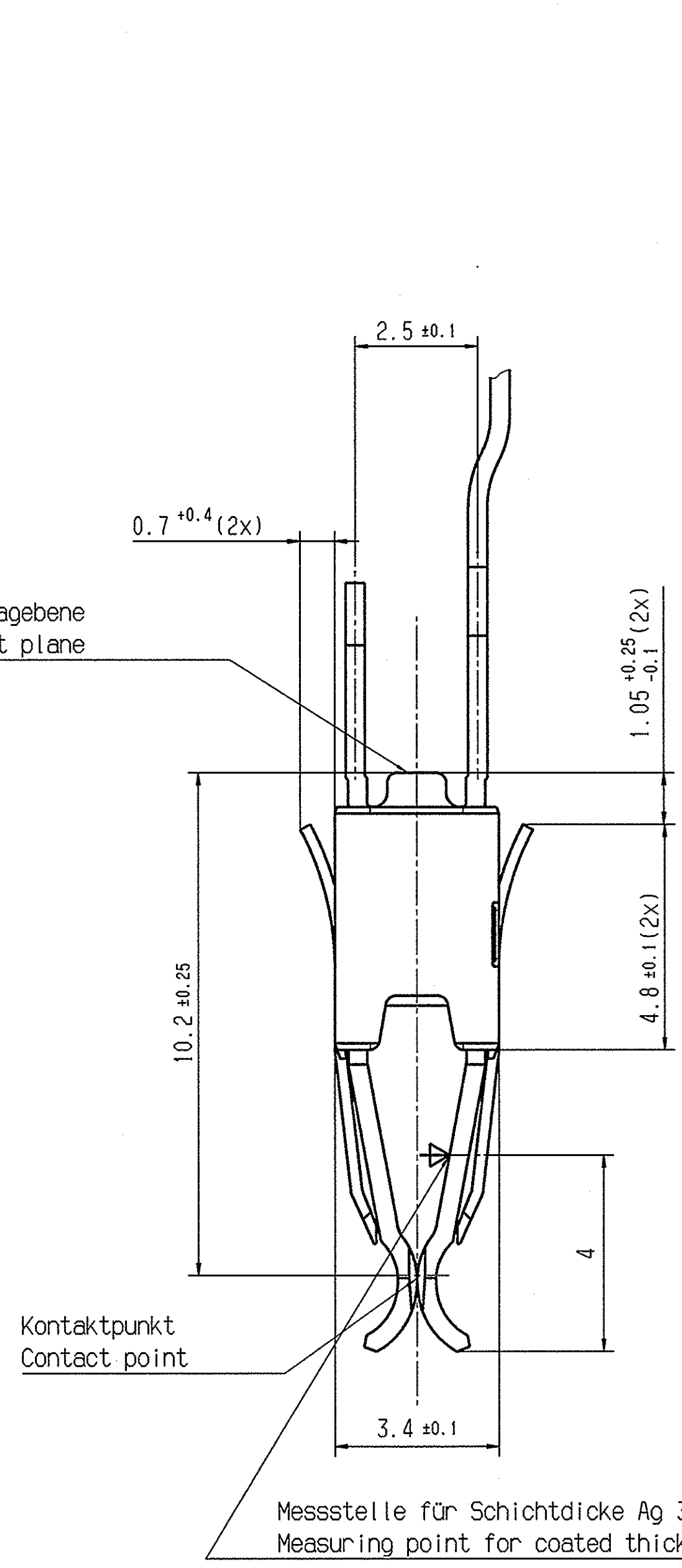
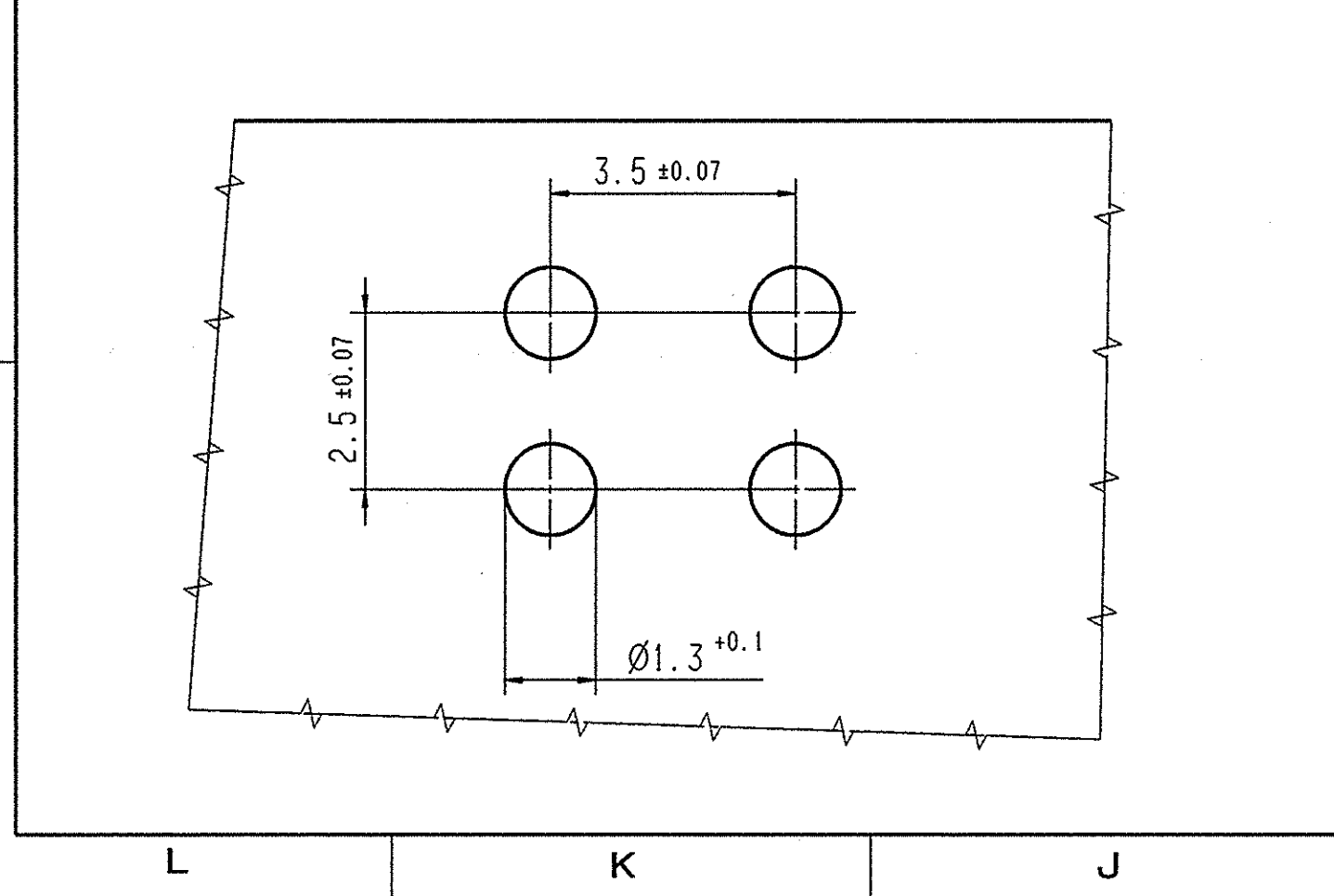


REV.	ZONE	DESCRIPTION	CS/REL. NO.	DATE	DESIGNED	CHECKED
11		T&C Change Report No. 22945		2006/01/23	Plc	Plc
12		T&C Change Report No. 26915, Drawing revised to LEAR-Norm		2011/09/28	Plc	Plc



Geometrie Leiterplatte
Verarbeitungshinweis:
Kontakt muss beim Lötten ohne Luftspalt mit den Anschlagebenen auf der Leiterplatte sitzen

Geometric circuit board
Manufacturing advice:
To soldering the contact plane of the terminal must lying on the circuit board without air gap.



Version	Chain Part	Single Part	SEM Part Number	T&C Part Number	Material	Surface	thick-ness (t)	Material	Surface	thick-ness (t)	Remark
2		X	E00225700	06029331142	CuFe2P	Ag 3					Strombelastbarkeit: max. 30 A
2		X	32025Y1US	06029201179	CuSn4	FrSn 3+3					Current capacity: max. 30 A
2	X		318900834	26029331142	CuFe2P	Ag 3	0,39	X10 CrNi 18-8	blank	0,23	
1		X	32025Y1Y4	06282331142	CuFe2P	Ag 3					
			Assembly Part Number	Pos. 1: Basic Part	Pos. 2: Spring						

GENERAL TOLERANCES DIN 16901 ISO 2768 - m	THE ENGLISH TRANSLATION IS BELIEVED TO BE ACCURATE. IN CASE OF DISCREPANCIES THE GERMAN VERSION SHALL GOVERN.	T&C Drawing Number 20213
ANGLE PROJECTION EU	MATERIAL: see table FINISH / SURFACE: see table COLOR: ---	WEIGHT CAD: --- VOLUME CAD: --- [g] [mm³]
SCALE: 10:1	START DATE: 2006/01/23	LEAR CORPORATION Lear Corporation GmbH Schlosserstraße 4 42899 Remscheid Germany
DRAWN: Plc	TITLE miscellaneous / cross carline SOLDER TERMINAL DFK 3	
APPROVERS: 	CAD DIRECTORY / CAD LOCATION: K-AUTOMOT/LAGER-20 MODEL FILE NAME: 20213-...-P_19	
DRW FILE NAME: 20213-...-CG-P_00112	LAST UPDATE 2011/09/28	SEM DOCUMENT ID / DRAWING NUMBER D00057926 - 12
	REV. 1	SHEET OF 1
		TYPE CG
CONFIDENTIAL - THIS DRAWING AND ALL INFORMATION DISCLOSED HEREIN ARE OWNED BY LEAR CORPORATION AND ARE NOT TO BE DISTRIBUTED OR DISSEMINATED IN ANY MANNER UNLESS EXPRESSLY AUTHORIZED IN WRITING BY LEAR CORPORATION.		

Official current version only in LEAR T&C DB.
 In gedruckter Form kein Änderungsdienst.
 Official current version only in LEAR T&C DB.
 In gedruckter Form kein Änderungsdienst.
 Catia V5 DIN A1