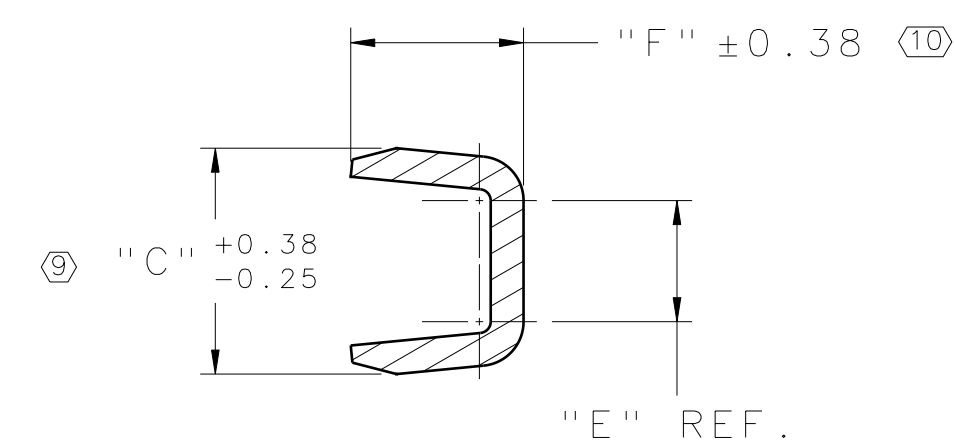
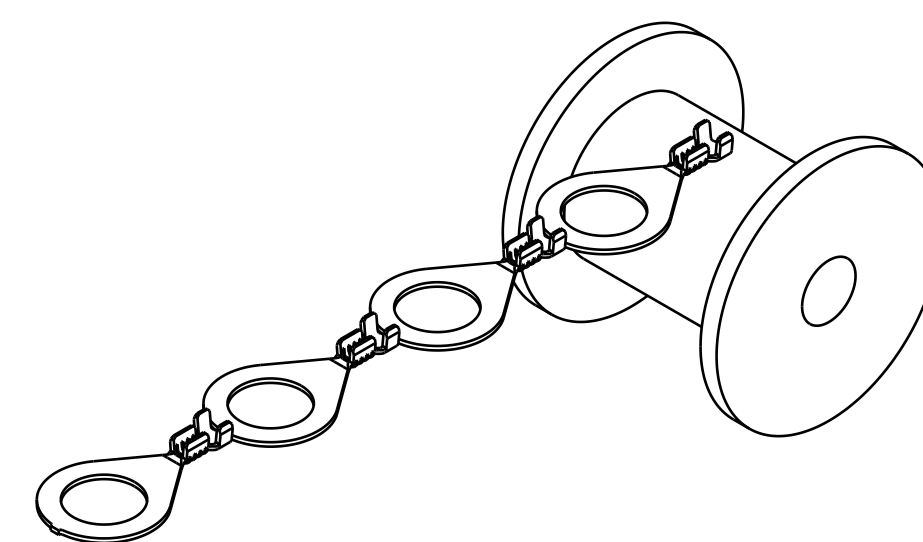
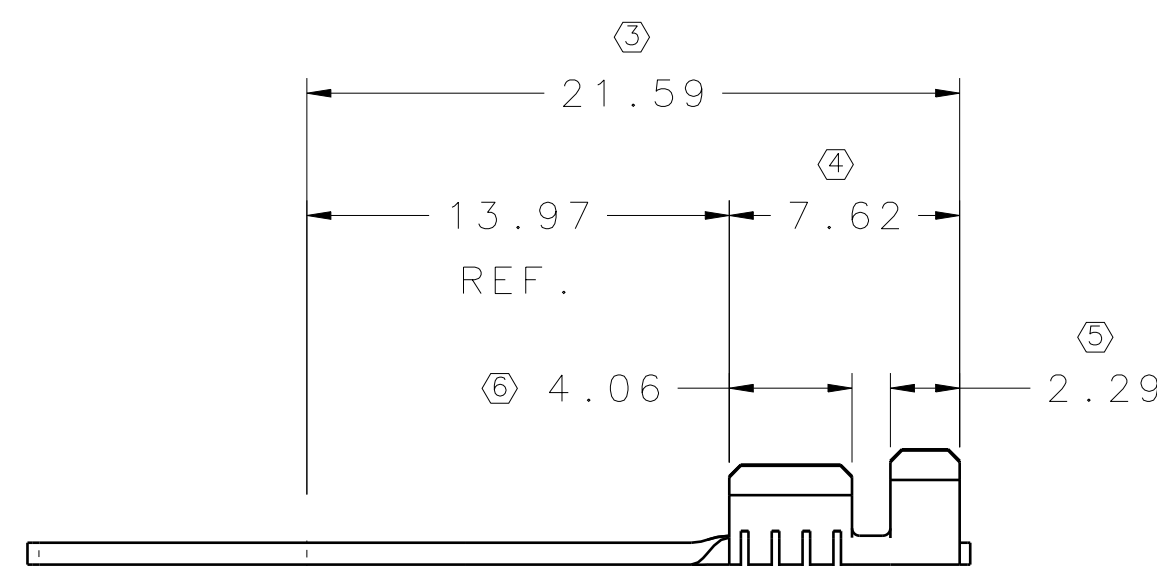


SECTION VIEW A-A
SCALE: 6:1



SECTION VIEW B-B
SCALE: 6:1



UNWIND DIRECTION

NOTES:

1. GENERAL TOLERANCE
 - 1.1 ONE PLACE : ± 0.25
 - 1.2 TWO PLACE : ± 0.13
 - 1.3 ANGULAR PLACE : $\pm 3^\circ$
 2. BEFORE COIN
 3. 0.76 MAX. CUT OFF
 4. MATERIAL THICKNESS:
 - 0.72 FOR 10* Δ -S SERIES
 - 0.51 FOR 1016 Δ -BF SERIES ONLY
- * - GRIP CODE
 Δ - DIAMETER CODE

REV.	ZONE	DESCRIPTION	CS/REL. NO.	DATE	DESIGNER	CHECKER
AA	--	INITIAL RELEASE	XX.XXX	2017/05/10	RB	TSR

ANGLE PROJECTION	MATERIAL: SEE TABLE	WEIGHT CAD:	VOLUME CAD:
NA	FINISH / SURFACE: SEE TABLE	N/A	N/A
	COLOR: N/A		
NOT USED	SCALE: 4:1		
	START DATE: 2017/03/31		
	DRAWN: R. BERAME	ELECTRICAL 21557 TELEGRAPH ROAD SOUTHFIELD, MI 48033	
	APPROVERS: ENGR. F. ABDISHI CHECKER: T.S. RAVINDRA APPROVER: A. BUTCHER	TITLE MISC / CROSS CARLINE TERM EYELET	
	CAD DIRECTORY / LOCATION: PLM	DRAWING FILE NAME: 101645-S02-AA-999-0001.CATDrawing MODEL FILE NAME: 101645-S02-999-0001.CATPart	
	LAST UPDATE: 2017/05/10	SEM DOCUMENT ID / DRAWING NUMBER: D00442608/101645-S02	REV: AA SHEET OF: 1 2 TYPE: CG

LAST USED 10 CONFIDENTIAL - THIS DRAWING AND ALL INFORMATION DISCLOSED HEREIN ARE OWNED BY LEAR CORPORATION AND ARE NOT TO BE DISTRIBUTED OR DISSEMINATED IN ANY MANNER UNLESS EXPRESSLY AUTHORIZED IN WRITING BY LEAR CORPORATION

H		G		F		E		D		C		B		A																	
LEAR/SEM P/N	T&C P/N	Ø HOLE SIZE	GRIP CODE	WIRE RANGE		C	E	F	H	J	L	MATERIAL	PLATING	MATERIAL THICKNESS	REV.	ZONE	DESCRIPTION	CS/REL NO.	DATE	DESIGNER	CHECKER										
				mm ²	AWG										AA	--	INITIAL RELEASE	XX.XXX	2017/05/10	RB	TSR										
E09670600	101128-S01	7.17	11	4.5-2.5	11-14	9.40 ±0.25	3.43	6.86	4.83 ±0.25	1.32	4.06	CuZn	-	0.72																	
E09664800	101128-S02											CuZn	Pre-Sn																		
E09671700	101134-S01	8.77										CuZn	-																		
E09664600	101134-S02											CuZn	Pre-Sn																		
E09672300	101140-S01	10.34										CuZn	-																		
E09665100	101140-S02											CuZn	Pre-Sn																		
E09673100	101145-S01	11.43										CuZn	-																		
E09665500	101145-S02											CuZn	Pre-Sn																		
E09673800	101147-S01	12.07										CuZn	-																		
E09666600	101147-S02											CuZn	Pre-Sn																		
E09674400	101150-S01	12.78										CuZn	-																		
E09664300	101150-S02											CuZn	Pre-Sn																		
E09675000	101154-S01	13.54										CuZn	-																		
E09667700	101154-S02											CuZn	Pre-Sn																		
E09671100	101428-S01	7.17										14	2.5-1.5		14-16	5.38	2.59	5.59	3.86	1.27	4.83	CuZn	-	0.72							
320151F28	101428-S02																					CuZn	Pre-Sn								
E09671800	101434-S01	8.77																				CuZn	-								
E09575800	101434-S02																					CuZn	Pre-Sn								
E09672400	101440-S01	10.34																				CuZn	-								
320151CZQ	101440-S02																					CuZn	Pre-Sn								
E09673200	101445-S01	11.43	CuZn	-																											
E09665700	101445-S02		CuZn	Pre-Sn																											
E09673900	101447-S01	12.07	CuZn	-																											
E09667000	101447-S02		CuZn	Pre-Sn																											
E09674500	101450-S01	12.78	CuZn	-																											
E09575600	101450-S02		CuZn	Pre-Sn																											
E09675100	101454-S01	13.54	CuZn	-																											
E09575700	101454-S02		CuZn	Pre-Sn																											
E09671200	101628-S01	7.17	16	1.5-0.75	16-18	4.98	2.67	3.81	3.20	1.02	3.30			CuZn								-	0.51								
320151FP5	101628-S02													CuZn								Pre-Sn									
E09671900	101634-S01	8.77												CuZn								-									
320151FQF	101634-S02													CuZn								Pre-Sn									
E09672600	101640-S01	10.34												CuZn								-									
E09009100	101640-S02													CuZn								Pre-Sn									
E09673500	101645-S01	11.43										CuZn	-																		
E00020829	101645-S02											CuZn	Pre-Sn																		
E09674100	101647-S01	12.07										CuZn	-																		
E09667100	101647-S02											CuZn	Pre-Sn																		
E09674600	101650-S01	12.78										CuZn	-																		
E09009200	101650-S02											CuZn	Pre-Sn																		
E09675200	101654-S01	13.54										CuZn	-																		
E09667900	101654-S02											CuZn	Pre-Sn																		
E09671600	101628-BF01	7.17										20	0.5-0.25	20-22	3.71	1.53	3.23	2.54	0.51	2.49	CuZn	-		0.72							
E09670300	101628-BF02																				CuZn	Pre-Sn									
E09672200	101634-BF01	8.77																			CuZn	-									
E09670200	101634-BF02																				CuZn	Pre-Sn									
E09673000	101640-BF01	10.34																			CuZn	-									
E09669800	101640-BF02																				CuZn	Pre-Sn									
E09673700	101645-BF01	11.43	CuZn	-																											
E09669700	101645-BF02		CuZn	Pre-Sn																											
E09674300	101647-BF01	12.07	CuZn	-																											
E09669600	101647-BF02		CuZn	Pre-Sn																											
E09674800	101650-BF01	12.78	CuZn	-																											
E09670400	101650-BF02		CuZn	Pre-Sn																											
E09675400	101654-BF01	13.54	CuZn	-																											
E09668900	101654-BF02		CuZn	Pre-Sn																											
E09671400	102028-S01	7.17	20	0.5-0.25	20-22	3.71	1.53	3.23	2.54	0.51	2.49										CuZn	-	0.72								
E09664900	102028-S02																				CuZn	Pre-Sn									
E09672100	102034-S01	8.77																			CuZn	-									
E09664700	102034-S02																				CuZn	Pre-Sn									
E09672700	102040-S01	10.34																			CuZn	-									
E09665200	102040-S02																				CuZn	Pre-Sn									
E09673600	102045-S01	11.43										CuZn	-																		
E09666400	102045-S02											CuZn	Pre-Sn																		
E09674200	102047-S01	12.07										CuZn	-																		
E09667300	102047-S02											CuZn	Pre-Sn																		
E09674700	102050-S01	12.78										CuZn	-																		
E09664500	102050-S02											CuZn	Pre-Sn																		
E09675300	102054-S01	13.54										CuZn	-																		
E09668500	102054-S02											CuZn	Pre-Sn																		

REV.	ZONE	DESCRIPTION	CS/REL NO.	DATE	DESIGNER	CHECKER
AA	--	INITIAL RELEASE	XX.XXX	2017/05/10	RB	TSR
ANGLE PROJECTION		MATERIAL:	SEE TABLE	WEIGHT CAD:	VOLUME CAD:	
NA		FINISH / SURFACE:	SEE TABLE	N/A	N/A	
NOT USED		COLOR:	N/A	ELECTRICAL 21557 TELEGRAPH ROAD SOUTHFIELD, MI 48033		
SCALE:		4:1				
START DATE:		2017/03/31				
DRAWN:		R. BERAME		TITLE		
APPROVERS:		ENGR. F.ABDISHI		MISC / CROSS CARLINE TERM EYELET		
CHECKER:		T.S.RAVINDRA				
APPROVER:		A.BUTCHER				
CAD DIRECTORY / LOCATION:		DRAWING FILE NAME: 101645-S02-AA-999-0001.CATDrawing				
PLM		MODEL FILE NAME: 101645-S02-999-0001.CATPart				
LAST UPDATE	SEM DOCUMENT ID / DRAWING NUMBER	REV.	SHEET	OF	TYPE	
2017/04/20	D00442608/101645-S02	AA	2	2	CG	
LAST USED	CONFIDENTIAL - THIS DRAWING AND ALL INFORMATION DISCLOSED HEREIN ARE OWNED BY LEAR CORPORATION AND ARE NOT TO BE DISTRIBUTED OR DISSEMINATED IN ANY MANNER UNLESS EXPRESSLY AUTHORIZED IN WRITING BY LEAR CORPORATION					
10						

CATIA V5 RXX D ANSI